

EN



MOUNTING BOX FOR AIR 2D ASSEMBLY MANUAL

Manufacturer: ADVERS LLC

Representative office: AUTOTERM LLC

Paleju 72, Marupe, Latvia, LV-2167

Warranty Department

warranty@autoterm.com **Technical Support**

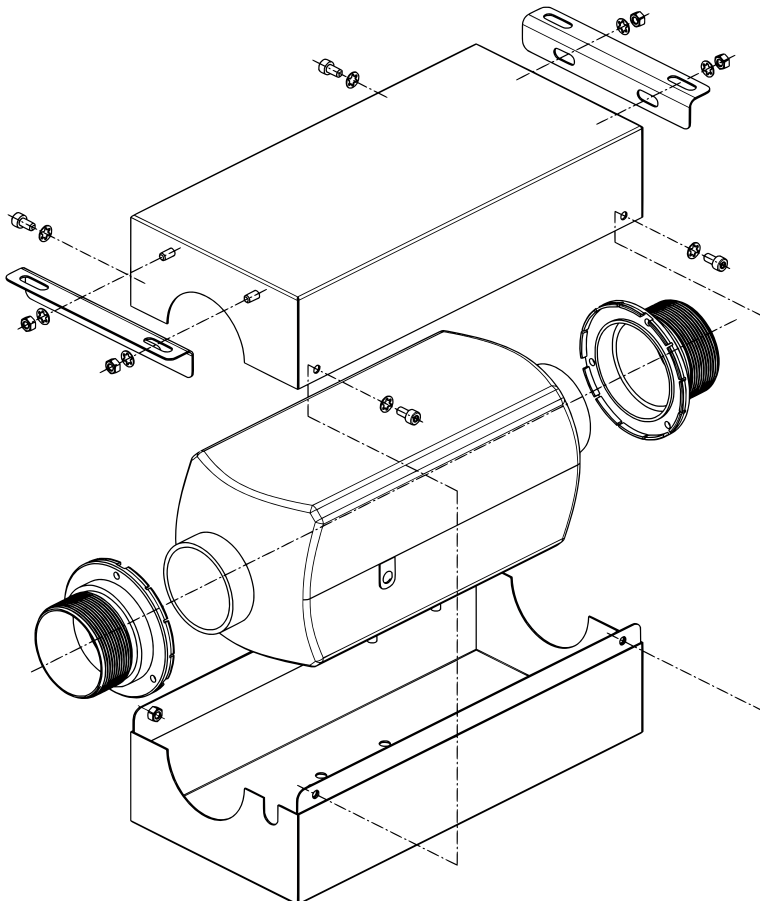
service@autoterm.com www.autoterm.com

INTRODUCTION

The mounting box is intended for the AUTOTERM AIR 2D heater indoor or outdoor installation and complies with the IP44 requirements. This mounting box protects against the effects of external conditions and helps to ensure reliable heater operation in hard exploitation conditions.



Heater mounting positions should be kept according to heater installation manual.



INSTALLATION KIT

Standard installation kit (Figure 1) includes:

1. Bottom cover
2. Top cover
3. Two $\text{Ø}60$ mm air pipe flanges
4. Rubber seal for the wiring
5. Four bolts and nuts
6. Set of brackets

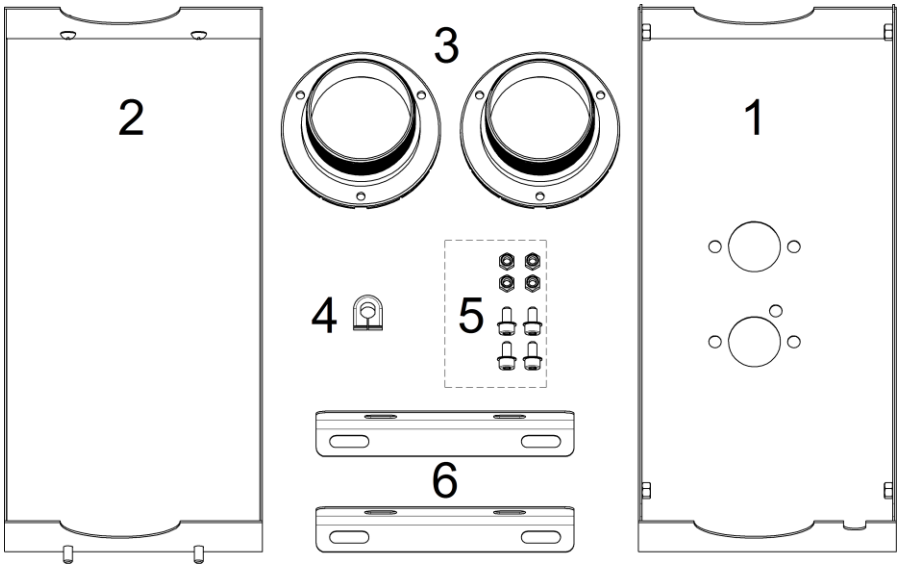


Figure 1 – Installation kit of the mounting box

INSTALLATION INSTRUCTIONS

1. Remove both grilles on each side of the heater (Figure 2).

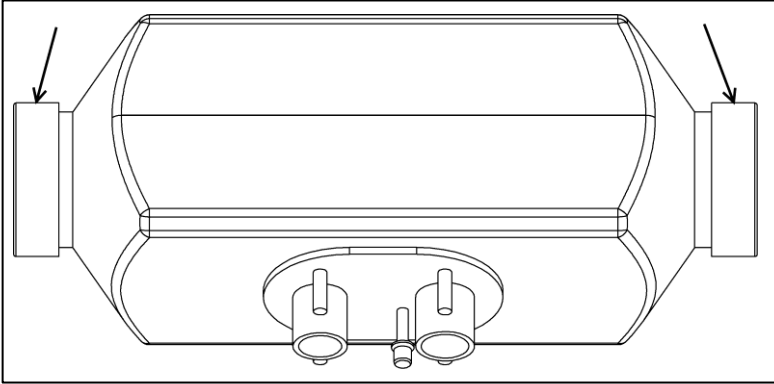


Figure 2

2. Remove fuel intake pipe's protective cap. Put both $\varnothing 60$ mm air pipe flanges where grilles were removed (Figure 3)

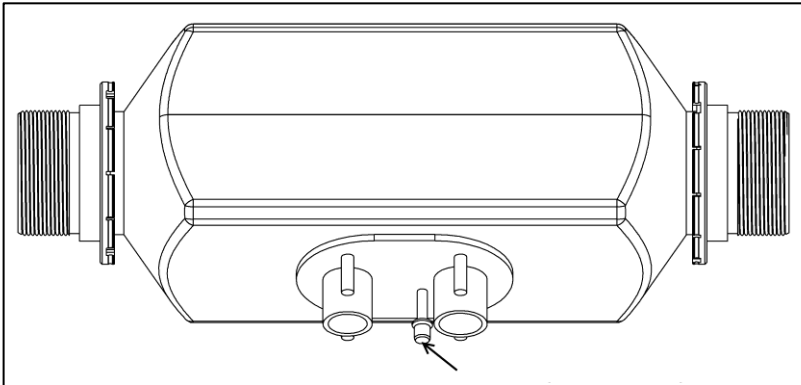


Figure 3

3. Insert the heater in the bottom cover so the air intake, exhaust pipe and fuel pipe connectors easily fit in their respective holes.
Make sure that the air pipe flanges are in correct position (Figure 4).
If necessary, fasten the heater to the bottom cover using the nuts from the mounting kit supplied with the heater*.

*Depends on type of the mounting bracket.

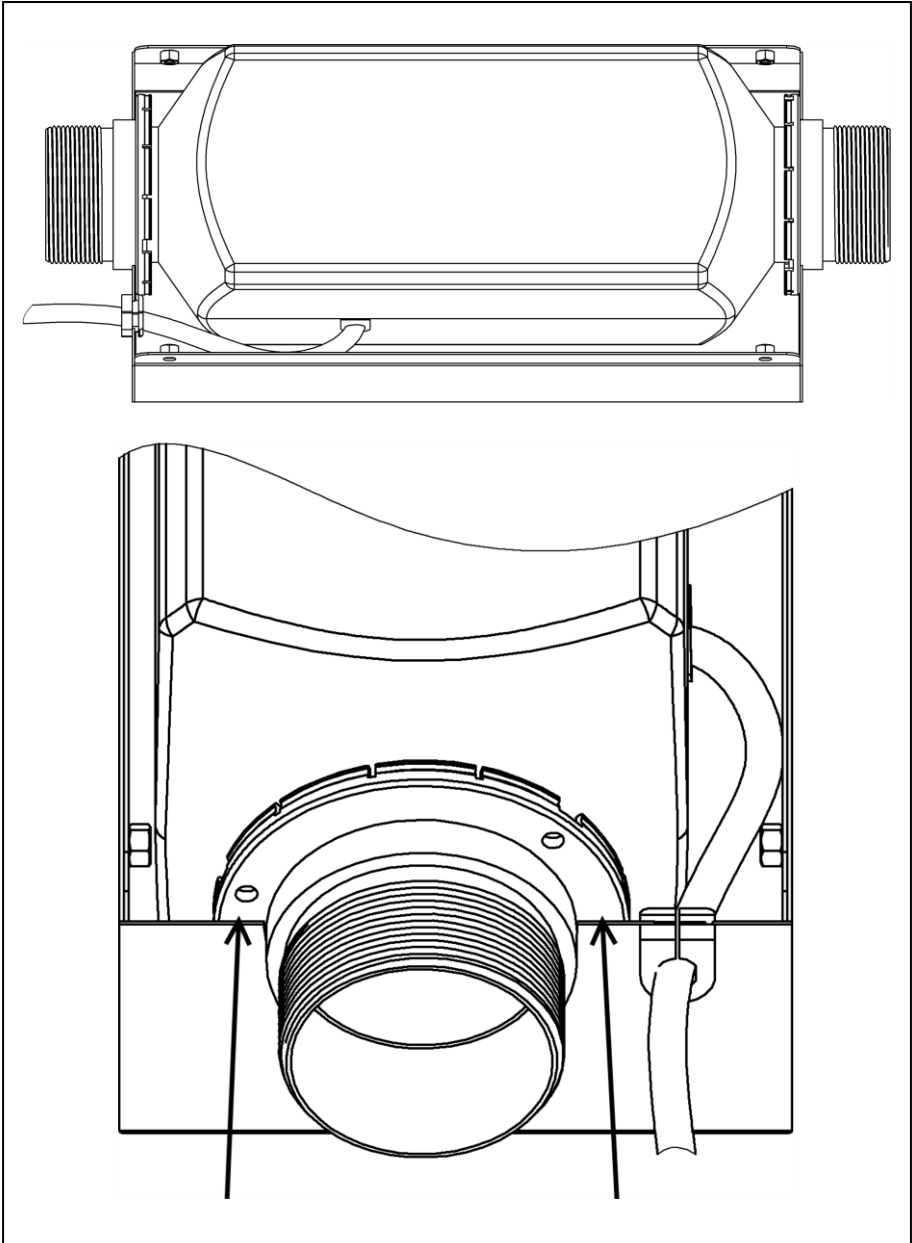


Figure 4

4. Insert the rubber seal into the notch and insert the wiring harness of the heater (Figure 5).

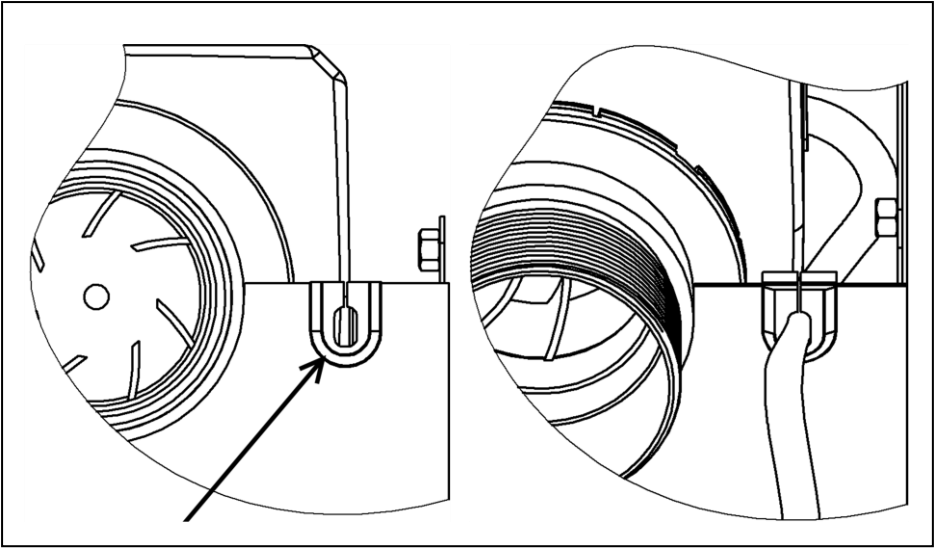


Figure 5

5. Put on the top cover and secure it with the four screws from the installation kit (Figure 6)

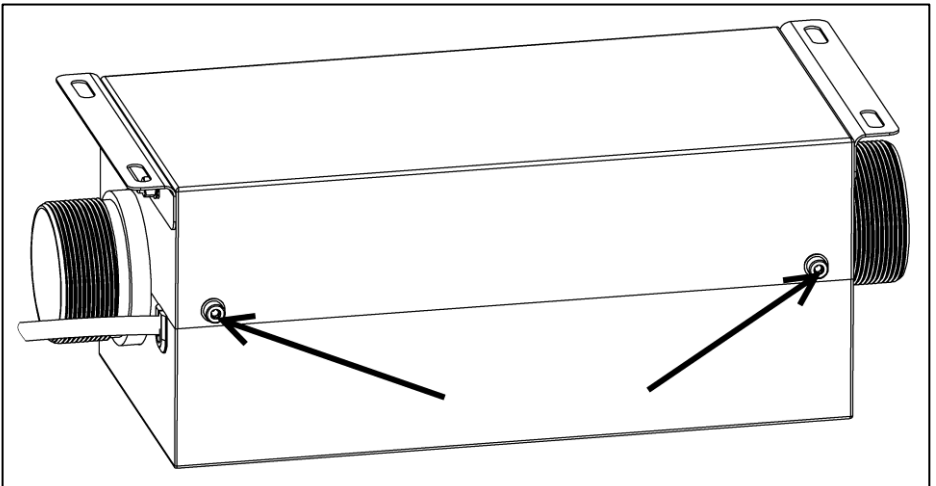


Figure 6

DIMENSIONS OF THE MOUNTING BOX

